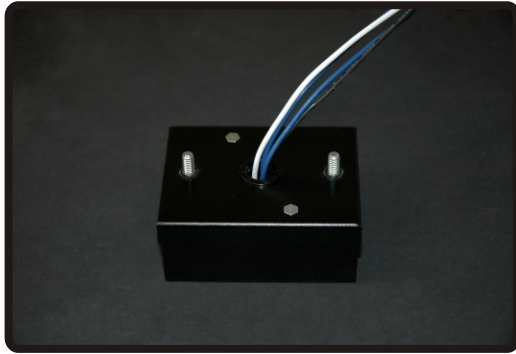
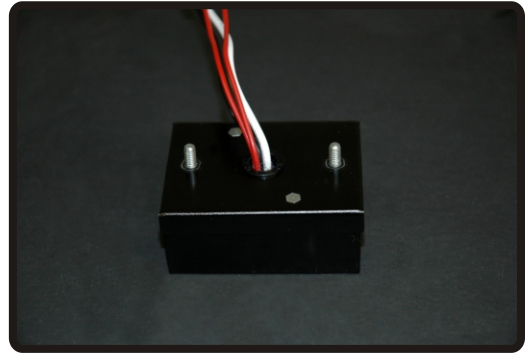


120Vac & 277Vac 75VA Electronic Transformer Specifications (Stud Mount)

Model PS20B75S



Model PS20D75S



INPUT SPECIFICATIONS

- PS20B75S Vac 95-135 Vac
- PS20B75S Amp's 0.62A
- PS20D75S Vac 249-305Vac
- PS20D75S Amp's 0.27A
- Frequency 50/60Hz
- THD <12
- Power Factor >95%

OUTPUT SPECIFICATIONS

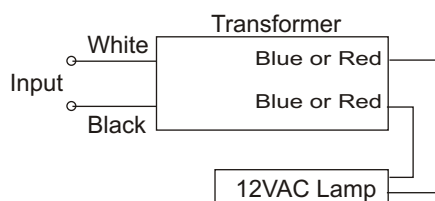
Applies to Models PS20B75S & PS20D75S

- Vac @ 120Vac IN 11.6Vac @ 75 watts
- Lamp Drive Frequency 25kHz to 30kHz
- Min & Max. Load 20W to 75W 12V Incandescent
- Overload & Short Protection Yes

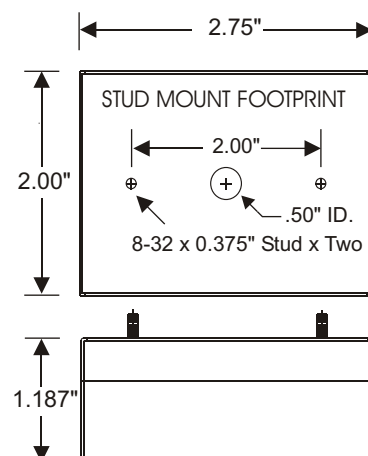
MECHANICAL / ENVIRONMENTAL

- Enclosure Overall Dimensions 'both Models' 2.75" L x 2.00" W x 1.187"H
- Unit Weight 4.0 oz. Potted
- Operating Temperature Min. Temp -30°C - Max. Temp 90°C
- EMI / RFI Compliance FCC Part 18
- Sound Rating Rated 'A'
- UL / CUL Listed File #E134599
- Warranty up to 5 years.
- Dimming can be achieved using electronic low voltage dimmers.
- Soft Start for extended lamp life.
- Input leads are UL1015 18 gauge stranded 105°C
- Output wire is 18 gauge Teflon stranded 200°C
- Enclosure Material is 0.040" Black Anodized Aluminum.
- Input Wires are 12" in length exiting enclosure.
- Output Wires are 12" in length exiting enclosure.

Electronic Transformer Wiring Diagram



For 277VAC product the output wires are Red in color
For 120VAC product the output wires are Blue in color



PowerSelect Inc.

PSI reserves the right to modify any specifications without notice..

Tel: (714) 901-3900 Fax: (714) 901-0026

E-mail - sales@powerselectinc.com | www.powerselectinc.com

Revised 07-10 -05