



PS60 Series R Constant Current Multi-Dim Universal LED Drivers

Features

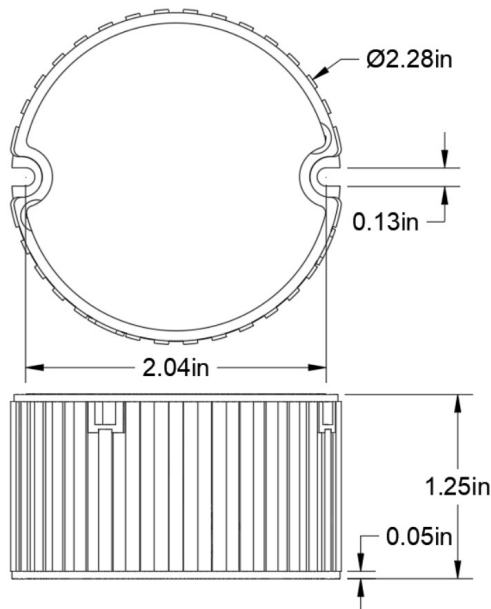
- Worldwide Input Voltage 105 through 300Vac with under-voltage protection
- Output short-circuit, open circuit, and over load protection with auto-restart
- Phase cut deep dimming 1-100% with industry standard dimmers (TRIAC/ELV)
- 0-10V Dimming $\leq 3-100\%$ - compatible with sink type 0-10V dimmers
- Low Inrush current $< 250\text{mA}$
- UL Listed File: E479042, Class P, Class 2
- High efficiency $> 85\%$
- RoHS Compliant
- 5 Year Warranty ¹
- Fast Startup time $< 300\text{ms}$

Model Numbers & Specifications

Model	Input Voltage 50/60Hz.	Power Factor	THD	Output Current $\pm 5\%$	Output Voltage	Max. Output Power
PS60U440C14R	105-300Vac	$> 90\%$	$< 20\%$	440mA	20-30Vdc	14
PS60U700C21R	105-300Vac	$> 90\%$	$< 20\%$	700mA	20-30Vdc	21

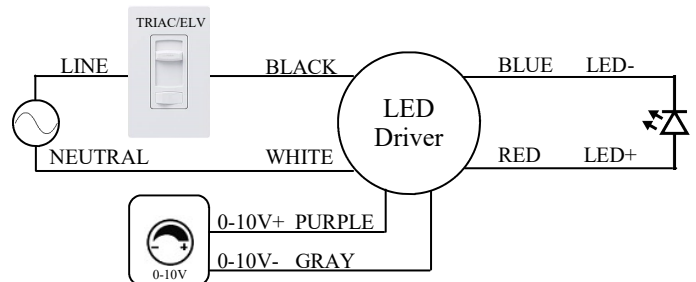
Mechanical & Environmental

- UL Listed File: E479042, Class P, Class 2
- Operating Temperature -30°C to 90°C
- Maximum Ambient Operating Temperature 40°C
- XLPE Wiring, rated 150°C
- Damp Location Rated, with Polyurethane-based potting
- Anodized aluminum enclosure

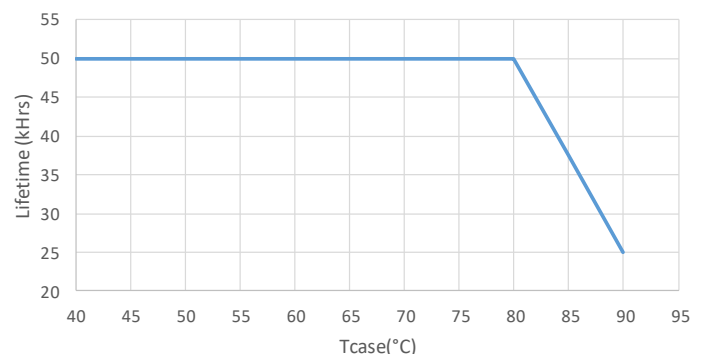


Electrical

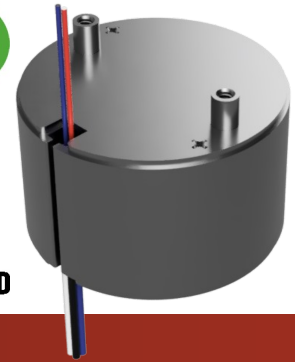
- Class 2 power supply
- For connections use wire rated for at least 90°C or equivalent
- Class 2 Control Wiring: Purple(+) & Gray(-)
- Class 2 Output Wiring: Red(+) & Blue(-)
- Input Wiring: White (Neutral) & Black (Line)
- EMI Compliance: FCC 47 CFR Part 15
- NEMA SSL-1-2010
- Complies with JA8 CEC T24



Driver Lifetime vs. Driver Case Temperature



1 - 5 Year Warranty applicable at 80°C maximum case temperature.



PS60 Series R Constant Current Multi-Dim Universal LED Drivers

Features

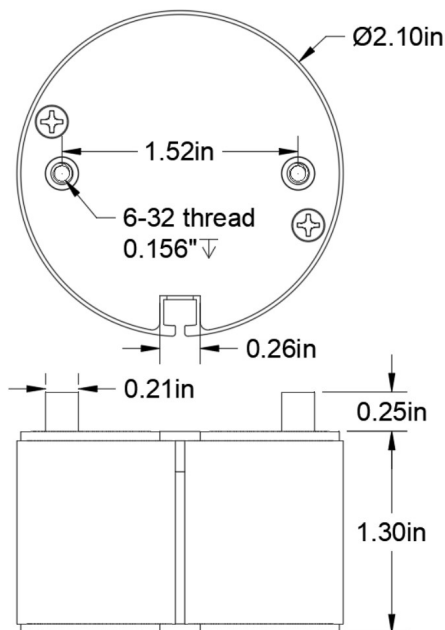
- Worldwide Input Voltage 105 through 300Vac with under-voltage protection
- Output short-circuit, open circuit, and over load protection with auto-restart
- Phase cut deep dimming 1-100% with industry standard dimmers (TRIAC/ELV)
- 0-10V Dimming ≤3-100% - compatible with sink type 0-10V dimmers
- Low Inrush current <250mA
- UL Listed File: E479042, Class P, Class 2
- High efficiency >85%
- RoHS Compliant
- 5 Year Warranty ¹
- Fast Startup time < 300ms

Model Numbers & Specifications

Model	Input Voltage 50/60Hz.	Power Factor	THD	Output Current ±5%	Output Voltage	Max. Output Power
PS60U1000C10R	105-300Vac	>90%	<20%	1000mA	8-10Vdc	10 W
PS60U1000C14R	105-300Vac	>90%	<20%	1000mA	10-14Vdc	14 W

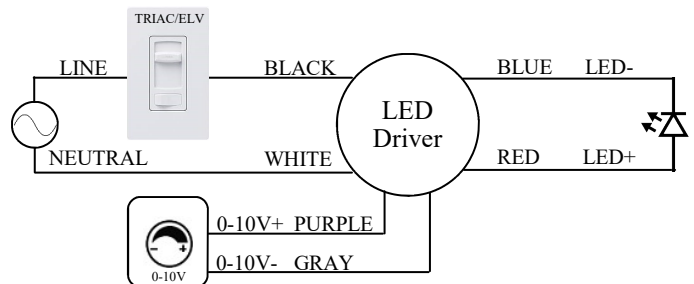
Mechanical & Environmental

- UL Listed File: E479042, Class P, Class 2
- Operating Temperature -30°C to 90°C
- Maximum Ambient Operating Temperature 40°C
- XLPE Wiring, rated 150°C
- Damp Location Rated, with Polyurethane-based potting
- Anodized aluminum enclosure

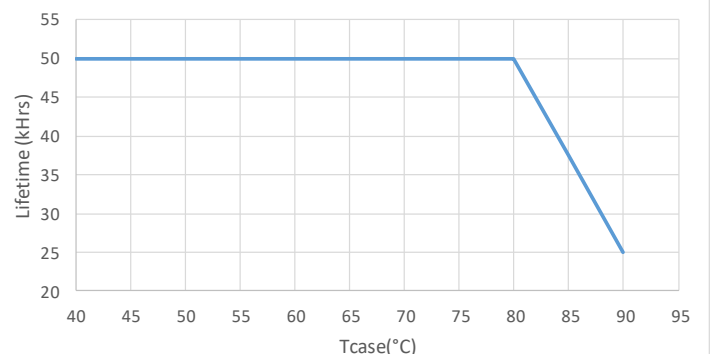


Electrical

- Class 2 power supply
- For connections use wire rated for at least 90°C or equivalent
- Class 2 Control Wiring: Purple(+) & Gray(-)
- Class 2 Output Wiring: Red(+) & Blue(-)
- Input Wiring: White (Neutral) & Black (Line)
- EMI Compliance: FCC 47 CFR Part 15
- NEMA SSL-1-2010
- Complies with JA8 CEC T24



Driver Lifetime vs. Driver Case Temperature



1 - 5 Year Warranty applicable at 80°C maximum case temperature.