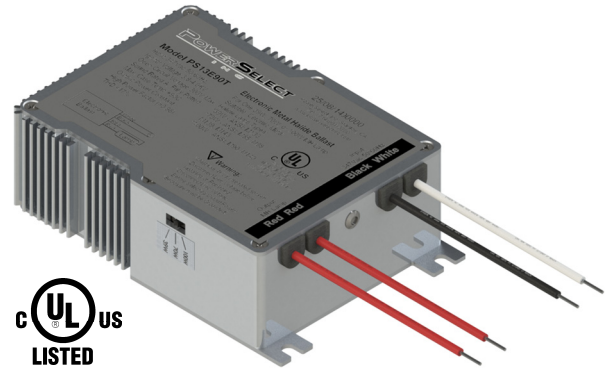


POWERSELECT

PS13E90T

347Vac Selectable Wattage HID Ballast



Features

- Three selectable power settings of 39Watt, 70Watt, or 100Watt.
- Industry standard chassis footprint.
- 3-Year Warranty

Input Specifications

Voltage	347Vac ± 10%
Current @ 39 Watts	0.138A
Current @ 70 Watts	0.232A
Current @ 100 Watts	0.324A
Power @ 39 Watts	45 Watts
Power @ 70 Watts	78 Watts
Power @ 100 Watts	110 Watts
Frequency	50/60 Hertz
Total Harmonic Distortion (THD)	<17%
Power Factor	>98%

Output Specifications

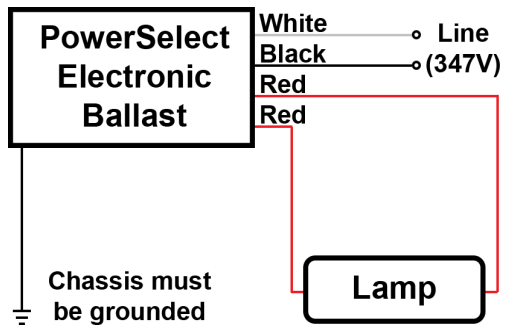
Output Power (Selectable)	39W, 70W, 100W
Lamp Drive Frequency	150Hertz ± 10%
Lamp Current Crest Factor	<1.2
Open Circuit Voltage	>300V Square Wave
Ignitor Voltage	>3.8kV
Ignition Failure Timeout	30 Minutes
Remote Ballast Distance	10 Feet*
Compatible 39W ANSI Lamps	M130
Compatible 70W ANSI Lamps	M85, M98, M139, M143
Compatible 100W ANSI Lamps	M90, M140

* Consult factory for remote ballast requirements beyond 10 Feet.

Mechanical & Environmental

Overall Enclosure Dimensions	5.46" L x 3.46" W x 1.59" H
Enclosure	Extruded Aluminum, fully potted
Input & Output Wiring	8" UL1015 # 18 AWG, rated 105°C
Operating Temperature	-30°C to 90°C
EMI / RFI Compliance	FCC Part 18
Sound Rating	Rated 'A'
UL/CUL Listed File	E173598

Ballast Wiring



Enclosure Dimensions

